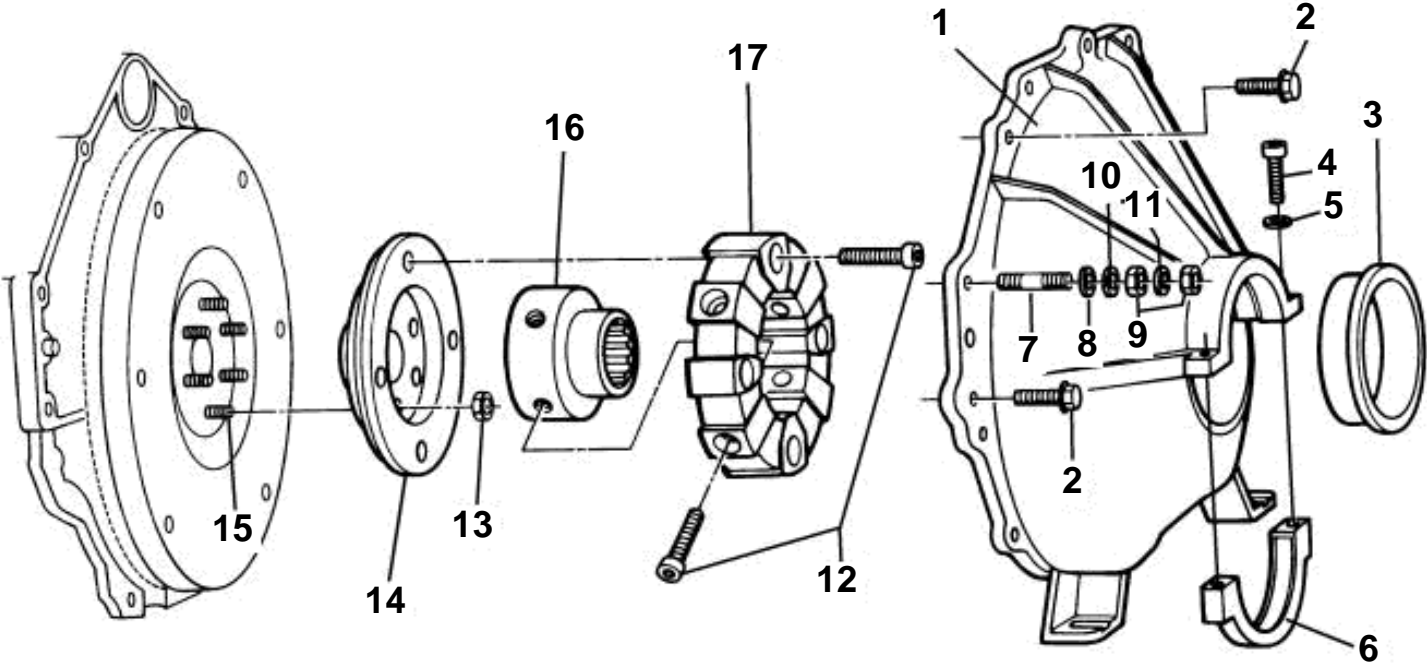


FLYWHEEL HOUSING & CONNECTING COMPONENTS, PJX



FLYWHEEL HOUSING & CONNECTING COMPONENTS, PJX

REF	PART NO.	QTY	DESCRIPTION	NOTES
1	3858066	1	Flywheel housing	
2	3853266	1	Screw, Flywheel housing to engine	Port; WTC
	968233	1	Screw, Flywheel housing to engine	Port; WTR
	3853326	3	Screw, Flywheel housing to engine	WTC
	946472	3	Screw, Flywheel housing to engine	WTR
3	3855641	1	Rubber ring	
4	959243	2	Screw, Flywheel hsg to pump hsg	
5	3852002	2	Lock washer	
6	3855457	1	Clamp	
7	3850571	2	Stud, Flywheel housing to engine	Ground; WTC
	3857937	2	Stud, Flywheel housing to engine	Ground; WTR
8	3852058	2	Washer, Ground stud, flywheel hsg	WTC
	944633	2	Washer, Ground stud, flywheel hsg	WTR
9	3852065	4	Nut, Ground	WTC
	971071	4	Nut, Ground	WTR
10	3852002	2	Lock washer, Stud, flywheel housing	WTC
	3852046	2	Washer, Stud, flywheel housing	WTR
11	3852070	2	Washer, Ground stud, flywheel housing	WTC
	940147	2	Washer, Ground stud, flywheel housing	WTR
12	968004	8	Allen head screw, M14 X 40	
13	3853273	6	Lock nut, Flywheel & flange	
14	3858464	1	Flange	
15	3853274	6	Stud, Flywheel, adapter flange to crankshaft	
16	3855752	1	Hub	
17	3855459	1	Flexible coupling	